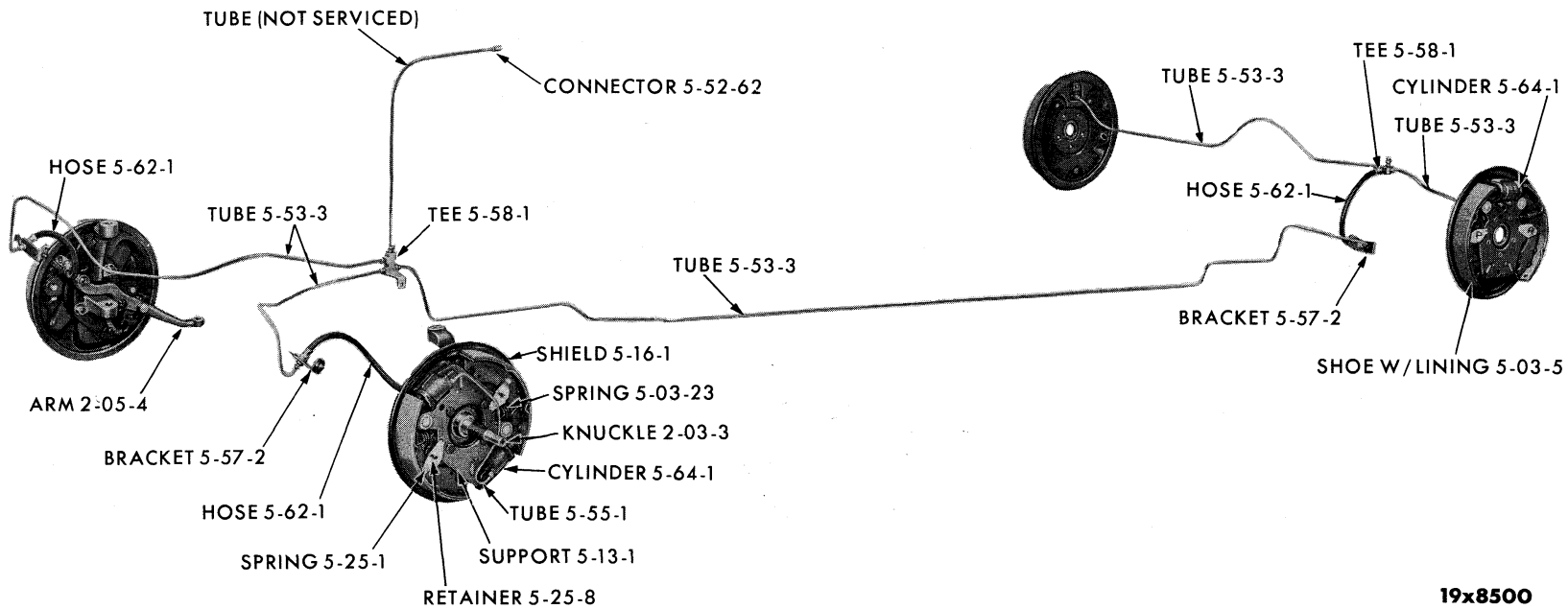
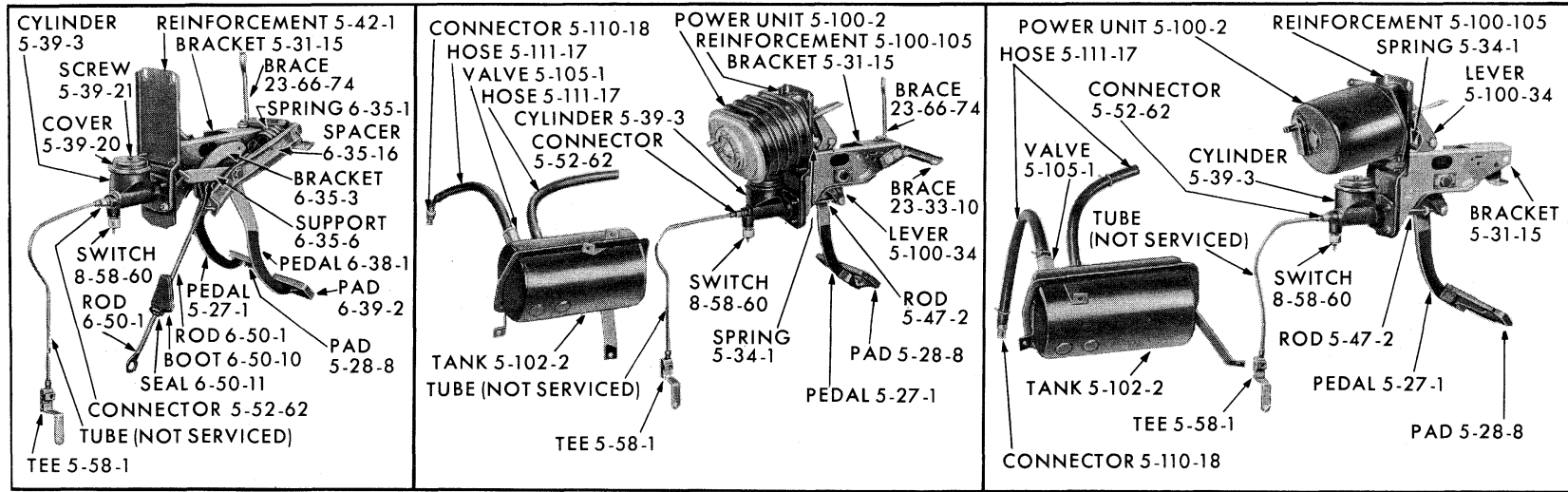
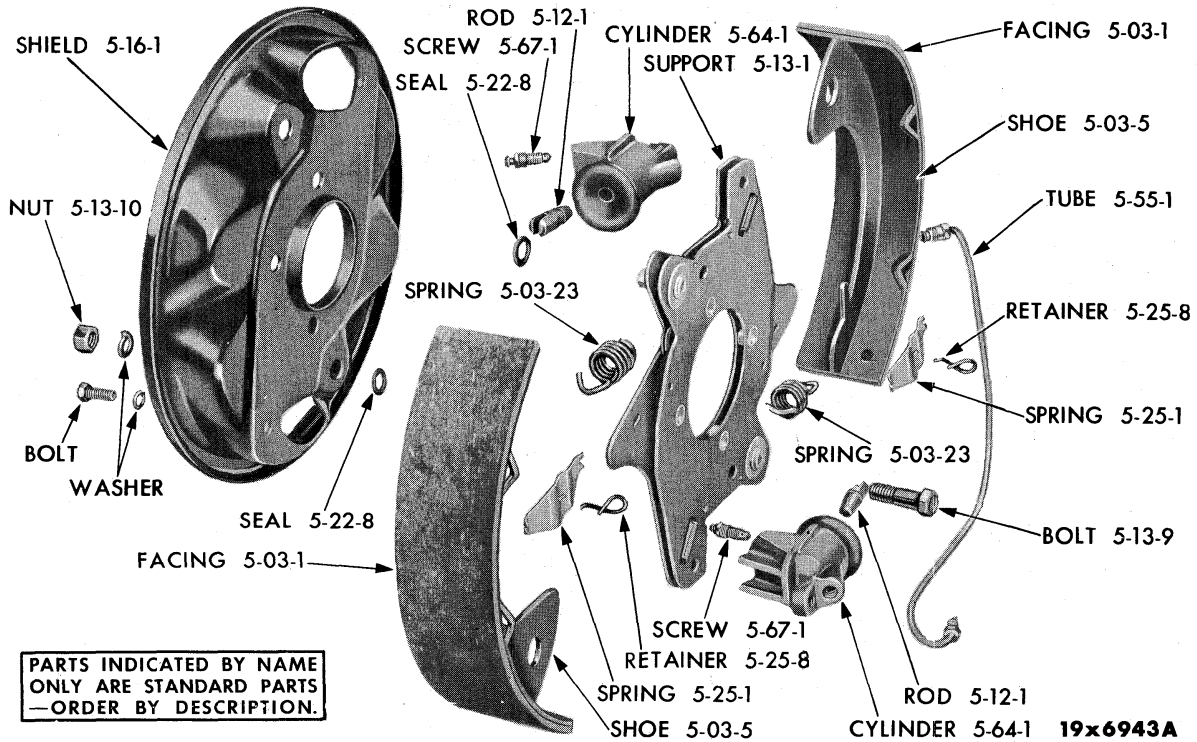


GROUP 5 - BRAKE-SERVICE

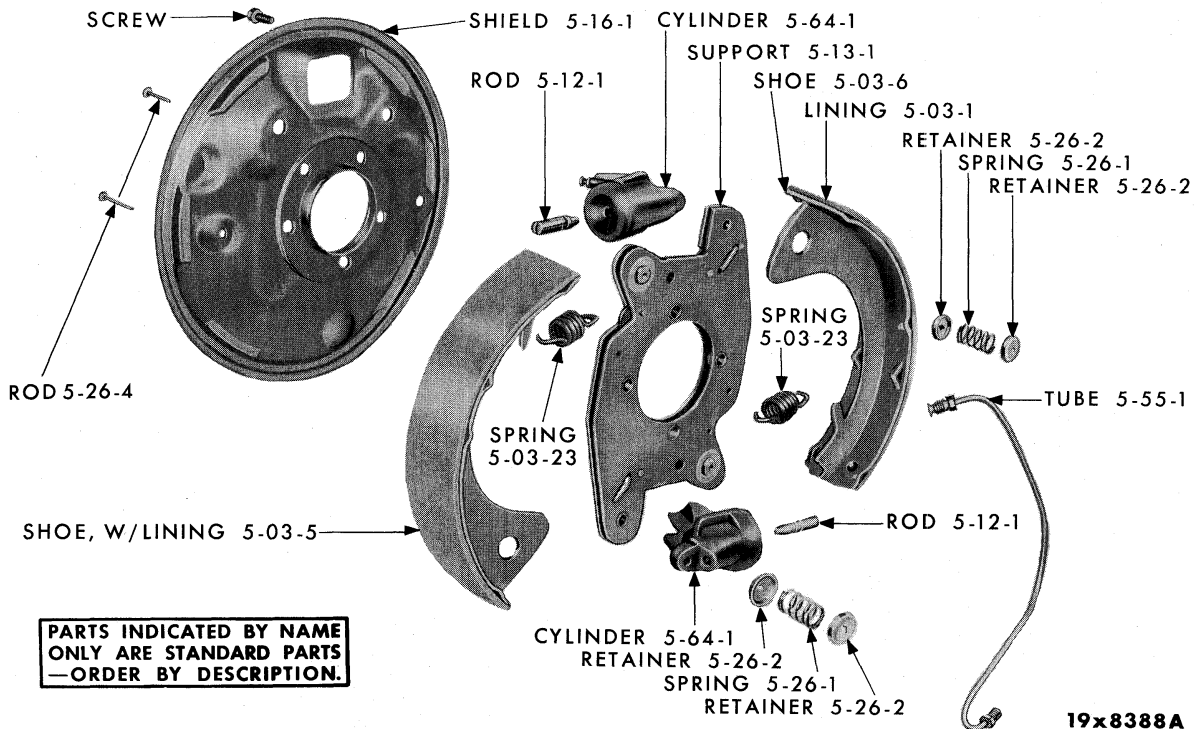


HYDRAULIC BRAKE SYSTEM

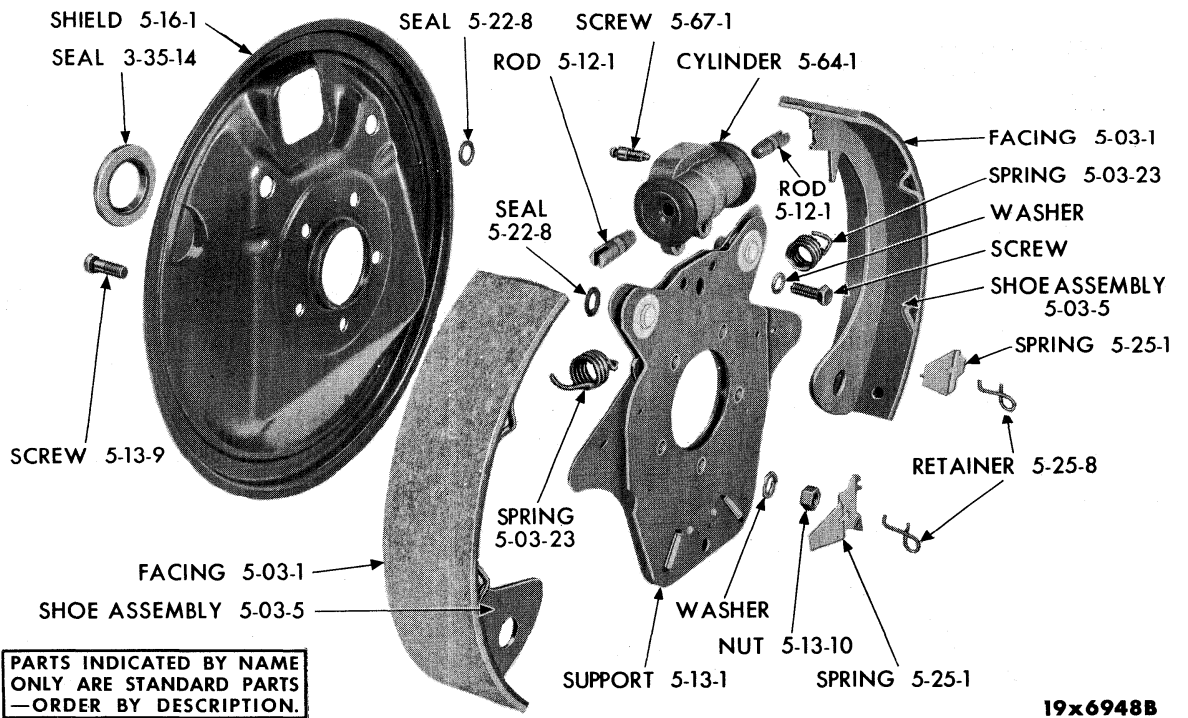
19x8500



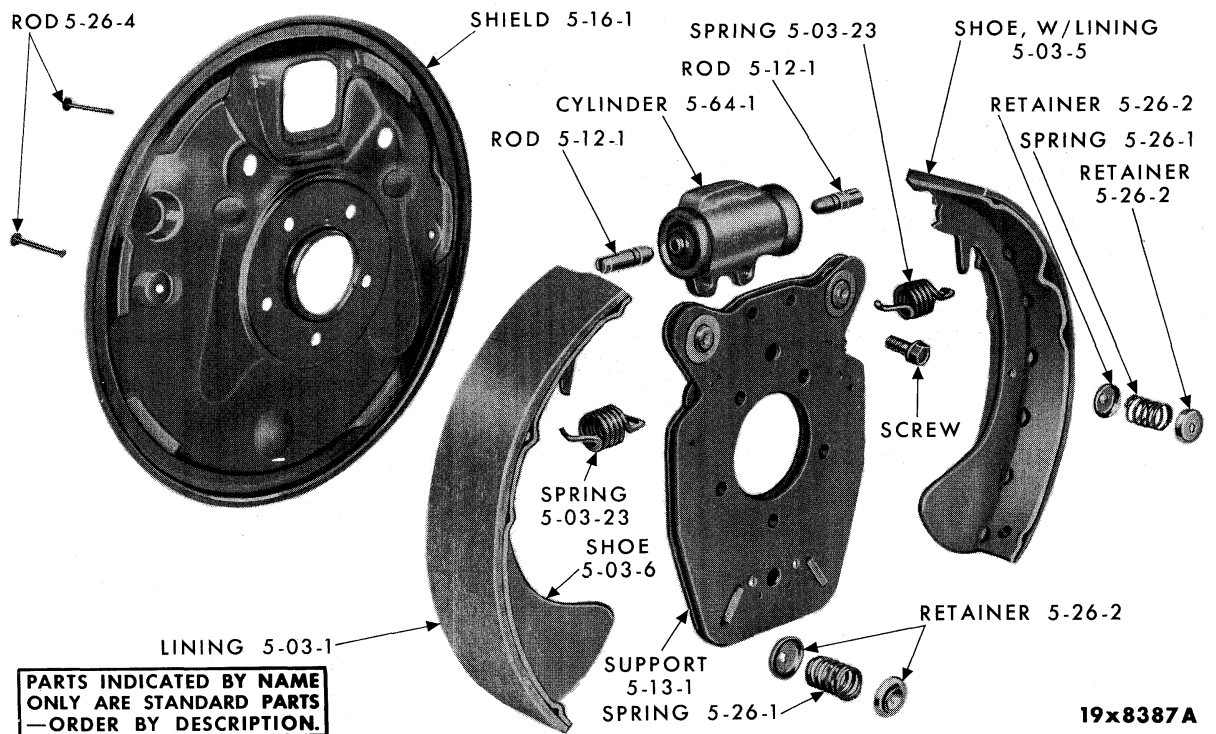
FRONT WHEEL BRAKE



FRONT WHEEL BRAKE - 3 PLATFORM TYPE

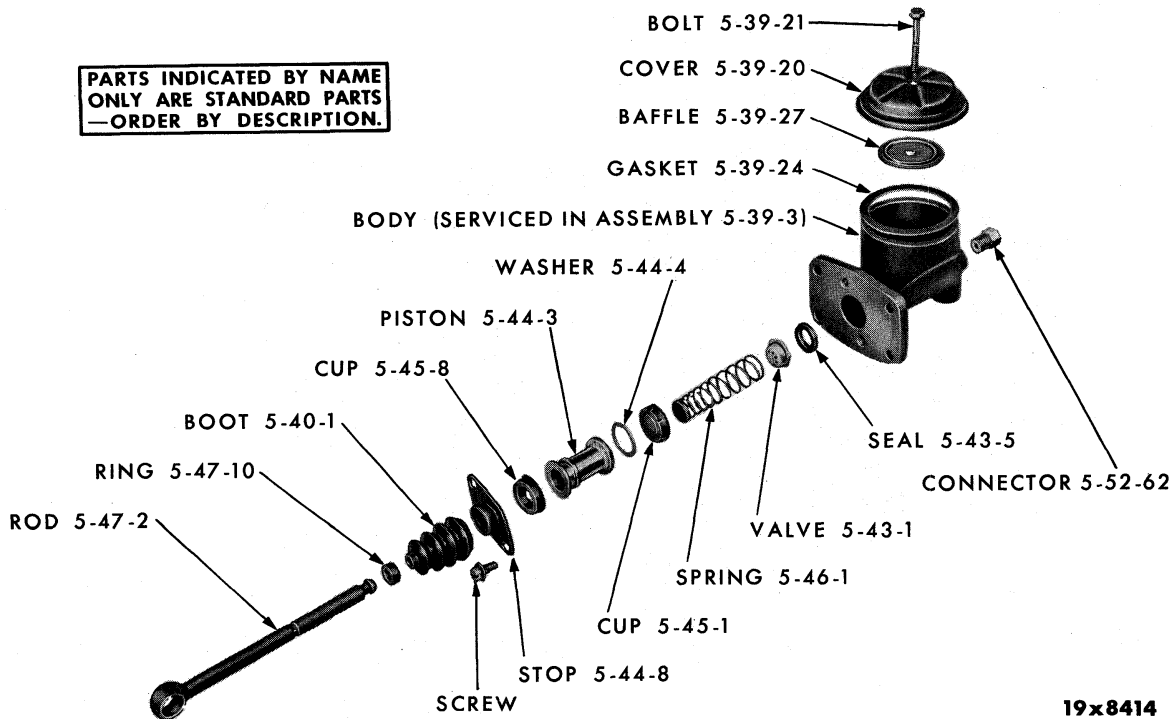


REAR WHEEL BRAKE

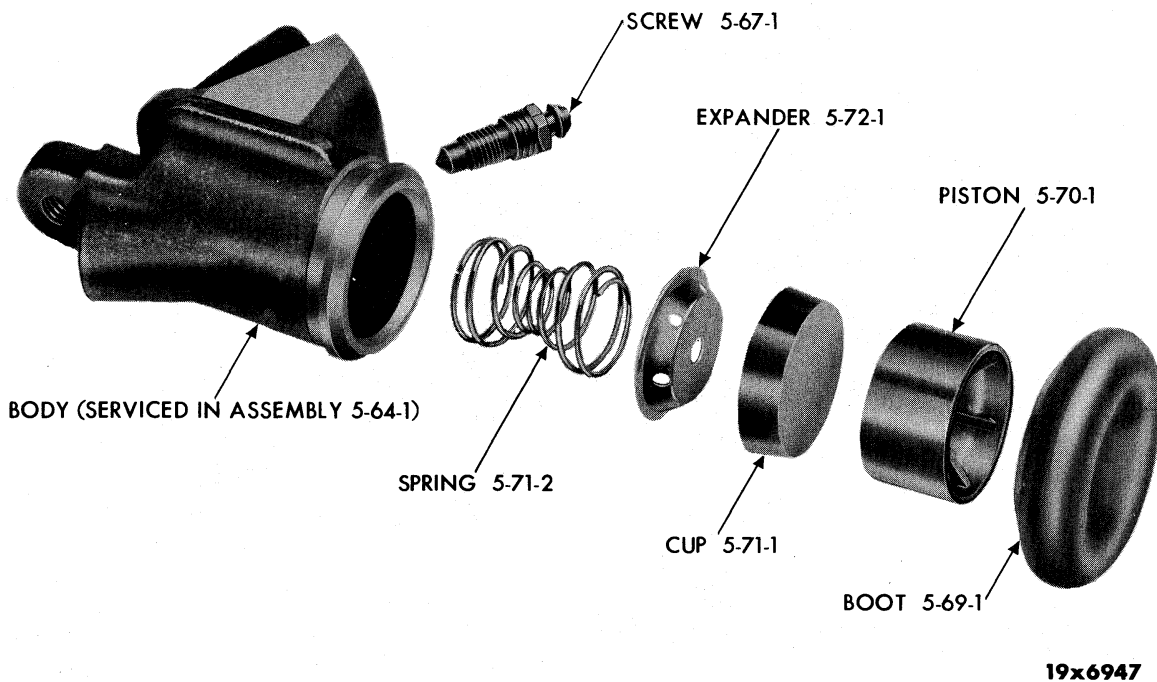


REAR WHEEL BRAKE - 3 PLATFORM TYPE

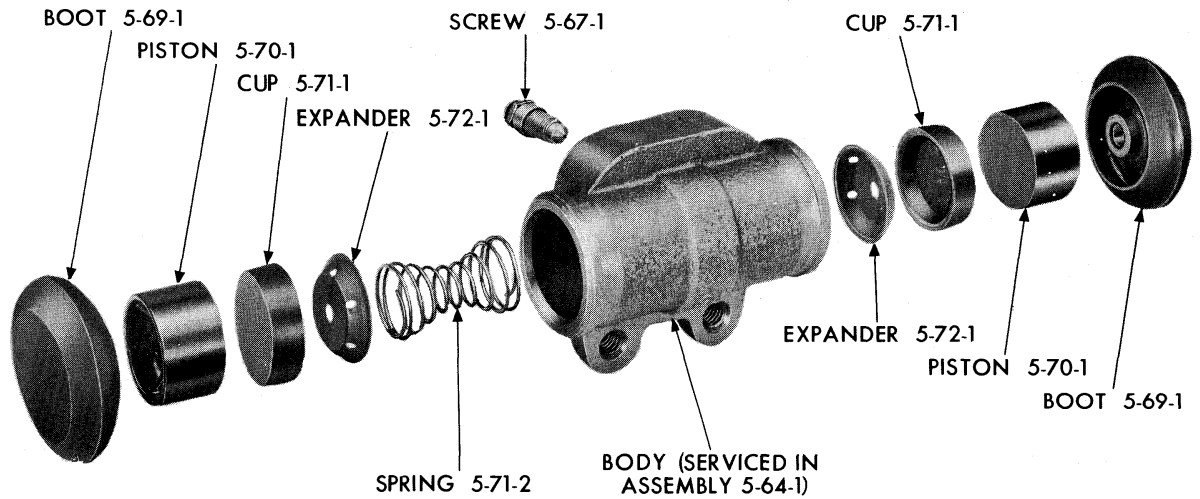
PARTS INDICATED BY NAME ONLY ARE STANDARD PARTS -ORDER BY DESCRIPTION.



BRAKE MASTER CYLINDER

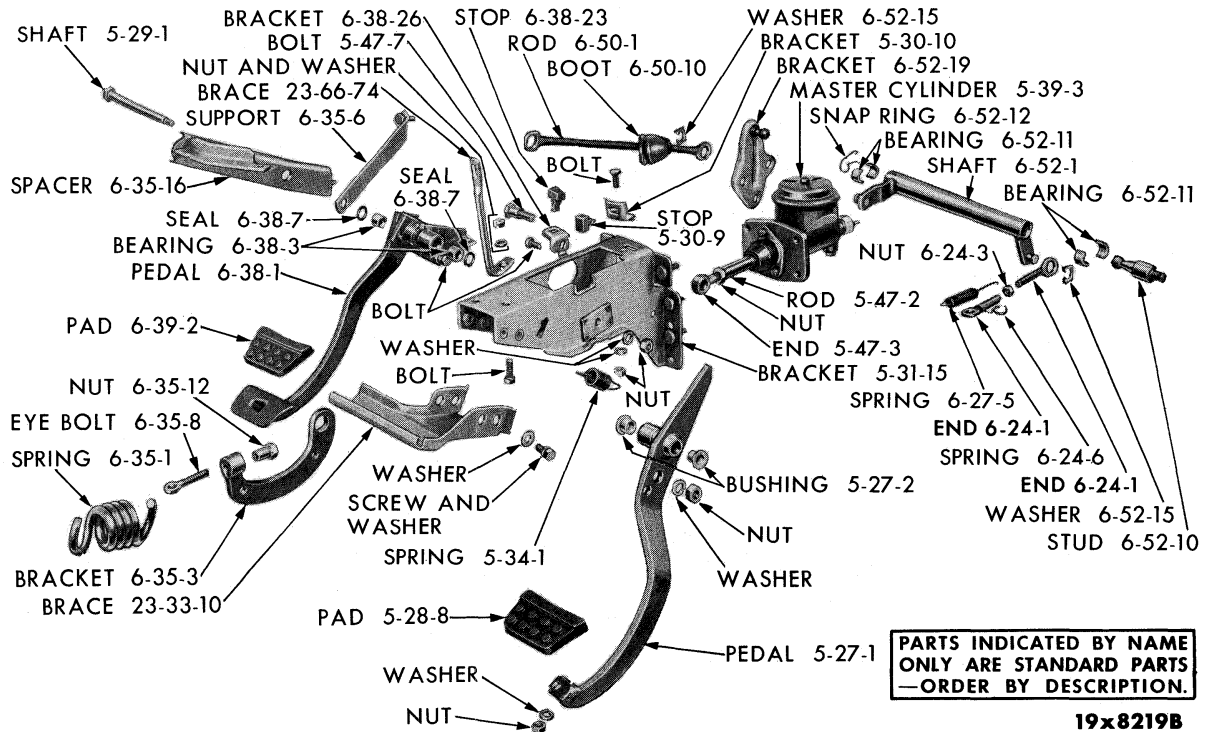


FRONT WHEEL BRAKE CYLINDER



19x6949

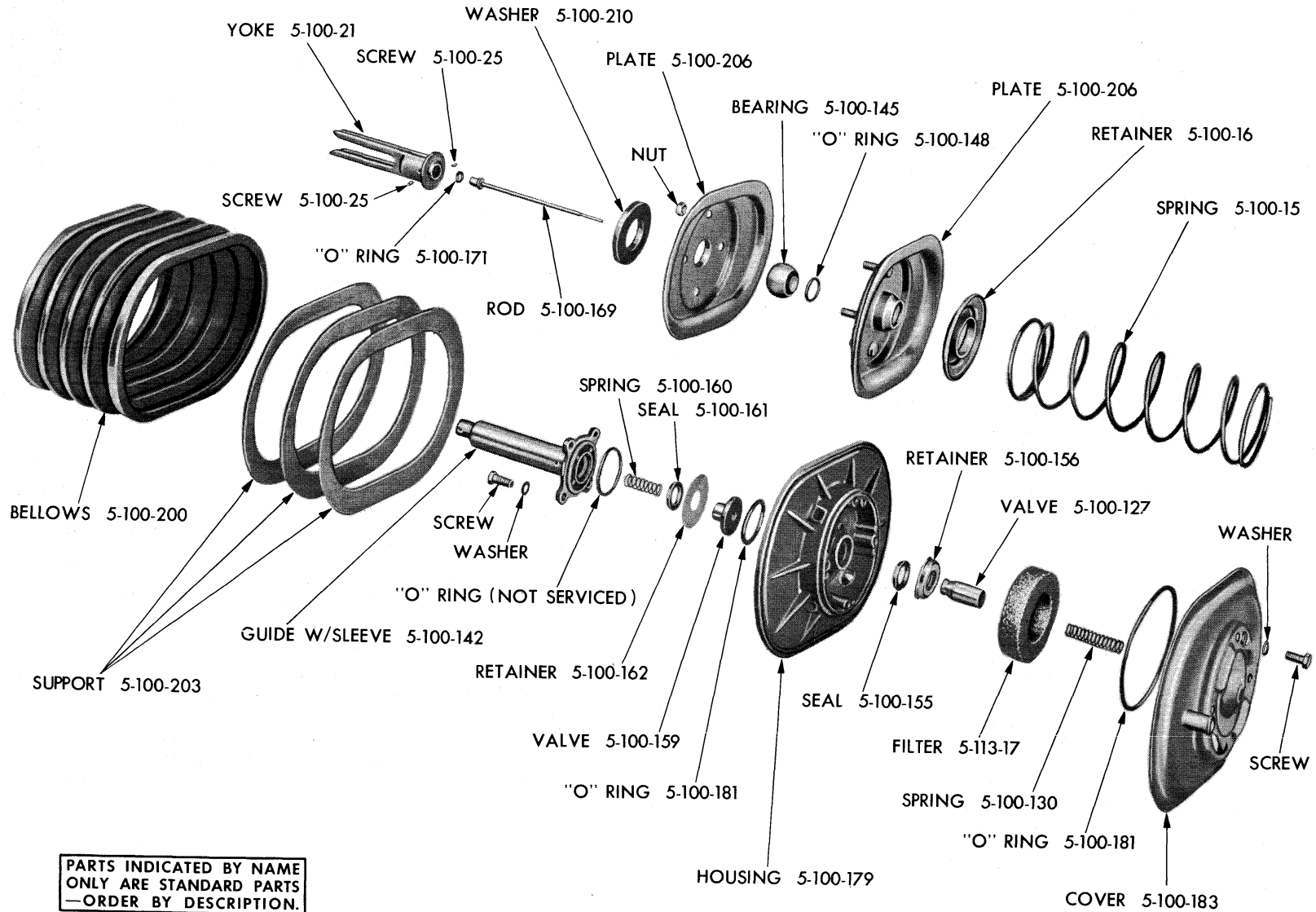
REAR WHEEL BRAKE CYLINDER



PARTS INDICATED BY NAME ONLY ARE STANDARD PARTS —ORDER BY DESCRIPTION.

19x8219B

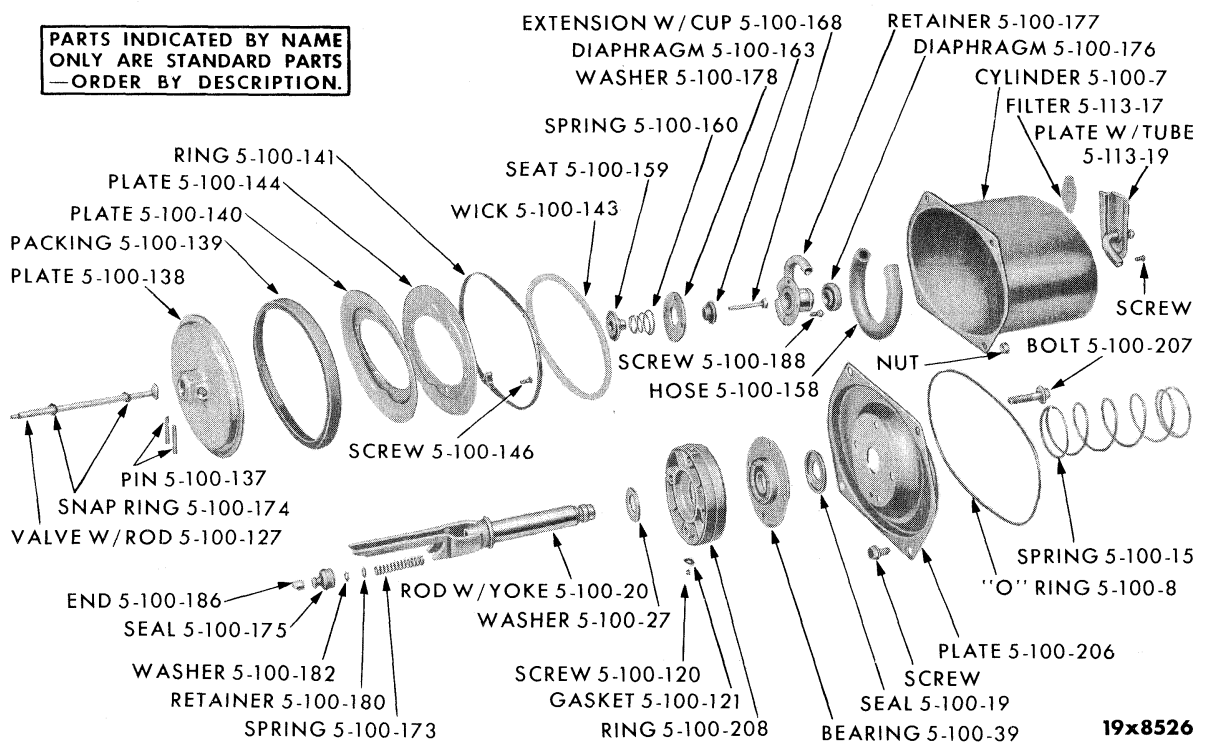
BRAKE AND CLUTCH PEDAL LINKAGE



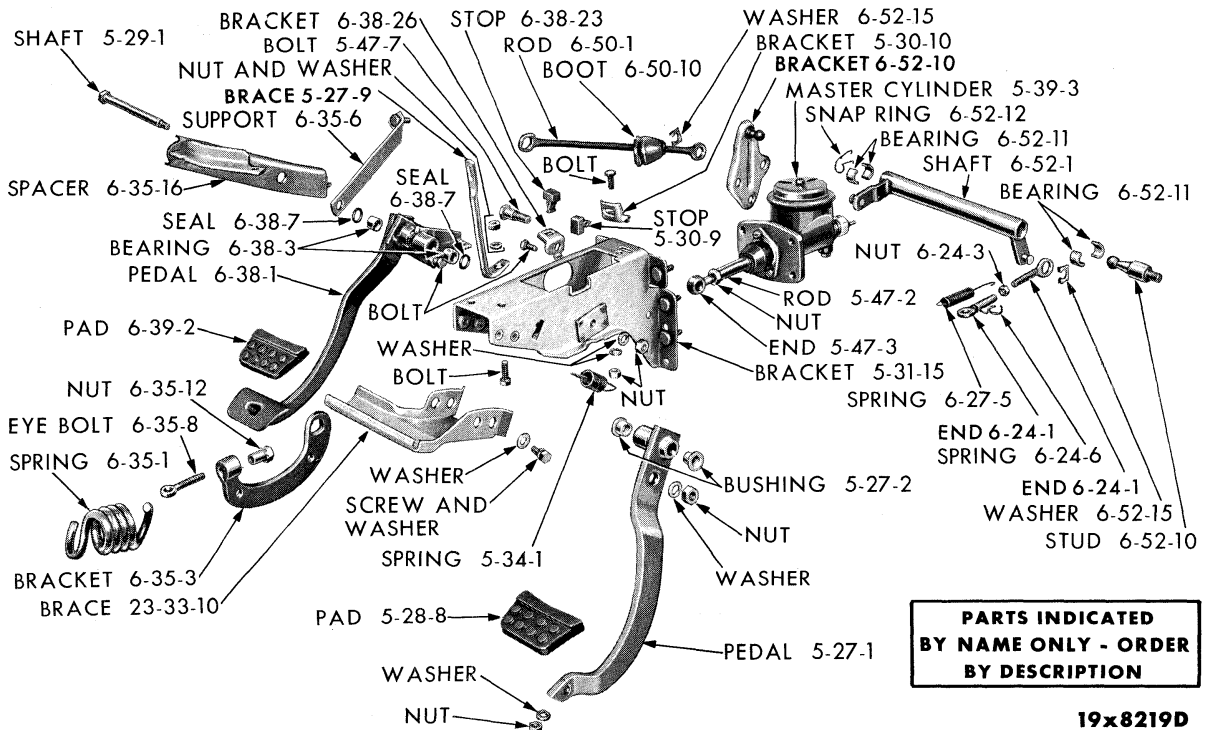
PARTS INDICATED BY NAME
 ONLY ARE STANDARD PARTS
 —ORDER BY DESCRIPTION.

19x6981

POWER BRAKE - BELLOWS TYPE



POWER BRAKE - CYLINDER TYPE



BRAKE AND CLUTCH PEDAL LINKAGE

CODE	PART NAME AND DESCRIPTION	NO. OF CYL.	PLYMOUTH	DODGE	DESOTO	CHRYSLER AND IMPERIAL	PER CAR	PART NUMBER
------	---------------------------	-------------	----------	-------	--------	-----------------------	---------	-------------

GROUP 5 - BRAKE - SERVICE

CODE	PART NAME AND DESCRIPTION	NO. OF CYL.	PLYMOUTH	DODGE	DESOTO	CHRYSLER AND IMPERIAL	PER CAR	PART NUMBER
5-01-0 BRAKE FLUID								
5-01-2	BRAKE FLUID, 8 oz. Can, Hi-Temp.	6-8	59	59	59	59	★	1879 268
	1 Pint Can, Hi-Temp.	6-8	59	59	59	59	★	1879 269
	1 Quart Can, Hi-Temp.	6-8	59	59	59	59	★	1879 270
	1 Gallon Can, Hi-Temp.	6-8	59	59	59	59	★	1879 271
	5 Gallon Can, Hi-Temp.	6-8	59	59	59	59	★	1879 272
	30 Gallon Drum, Hi-Temp.	6-8	59	59	59	59	★	1879 273
5-03-0 WHEEL BRAKE SHOE AND LINING								
5-03-1	LINING PACKAGE, Cyclebond, Std., 11" Brakes Std., MD2, Cl. Sed., Sp. Cl. Cp., 4 D., MD3-M, Sp. Cl. Cp., 4 D., MD3-H, Sp. Cl. Cp., 4 D., 11" x 2" Brakes	6-8 8	59 -	- 59	- -	- -	1 1	1879 399 1879 398
	Std., MD2, Cv. Cp., Sp. 4 D., MD3-L All, MD3-M Sp. 4 D., MD3-H, Cv. Cp., Sp. 4 D., Sub., MD2 Taxi, MD3 Taxi, MS1, MC1 except Sub., 11" x 2 1/2" Brakes	8	-	59	59	59	1	1879 401
	MC1, MC2, MC3, 12" x 2 1/2" Brakes	8	59	59	59	59	1	1879 396
	Heavy Duty, MC2, MC3-300	8	-	-	-	59	1	1843 028
	MY1	8	-	-	-	59	1	1879 404
5-03-5	SHOE, w/LINING, Front and Rear Wheel, 11" x 2" Brakes	6-8	59	-	-	-	8	E1850 964
	Front Wheel, MS1, MC1 except Sub., 11" x 2 1/2" Brakes	8	-	59	59	59	4	1850 965
	Rear Wheel, MD2, Cl. Sed., Sp. Cl. Cp., 4 D., MD3-M, Sp. Cl. Cp., 4 D., MD3-H, Sp. Cl. Cp., 4 D., 11" x 2" Brakes	8	-	59	-	-	4	E1850 964
	Rear Wheel, MD2, Cv. Cp., Sp. 4 D., MD3-L Sub., MD3-M Sp. 4 D., MD3-H, Cv. Cp., Sp. 4 D., Sub., MD2 Taxi, MD3 Taxi, MS1, MC1 except Sub., 11" x 2 1/2" Brakes	8	-	59	59	59	4	1850 965
	Front and Rear Wheel, MC1, MC2, MC3, 12" x 2 1/2" Brakes	8	59	59	59	59	8	1850 969
	Front and Rear Wheel, MC2, MC3, MC3-300, Heavy Duty, 12" x 2 1/2" Brakes	8	-	-	-	59	8	1738 898
	Front and Rear Wheel, Front Shoe, MY1	8	-	-	-	59	4	1738 917
	Rear Shoe, MY1	8	-	-	-	59	4	1850 969
	Front Wheel, 11" x 2" Brakes, w/3 Platform Guides, MP1, MP2, except Sub.	6-8	59	-	-	-	4	1943 814
	Front Wheel, 11" x 2 1/2" Brakes, w/3 Plat- form Guides, MP1, MP2, Sub., MS1, MC1 except Sub.	6-8	59	59	59	59	4	1943 804
	Rear Wheel, 11" x 2" Brakes, w/3 Platform Guides, MP1, MP2, MD2 Cl. Sed., Sp. Cl. Cp., 4 D., MD3 Sp. Cl. Cp., 4 D.	6-8	59	59	-	-	4	1943 814
	Rear Wheel, 11" x 2 1/2" Brakes, w/3 Plat- form Guides, MD2 Cv. Cp., Sp. 4 D., Taxi, MD3 Cv. Cp., Sp. 4 D., Sub., Taxi, MS1, MC1 except Sub.	8	-	59	59	59	4	*1943 804
	Front and Rear Wheel, 12" Brakes, w/3 Plat- form Guides, MC1, MC2, MC3, MC3-300	6-8	59	59	59	59	8	*1857 045
	Front and Rear Wheel Front Shoe, MY1	8	-	-	-	59	4	1857 063
	Rear Shoe, MY1	8	-	-	-	59	4	1857 045
5-03-6	SHOE, Front and Rear, 11" x 2" Brakes	6-8	59	-	-	-	8	1674 063
	Front Wheel, MS1, MC1 except Sub., 11" x 2 1/2" Brakes	8	-	59	59	59	4	1674 064
	Rear Wheel, MD2, Cl. Sed., Sp. Cl. Cp., 4 D., MD3-M, Sp. Cl. Cp., 4 D., MD3-H, Sp. Cl. Cp., 4 D., 11" x 2" Brakes	8	-	59	-	-	4	1674 063

★ Indicates use as required.

□ Indicates parts not listed in any previous parts book.

* Indicates change or addition.

Numerals in parentheses () refer to notes.

Printed in U.S.A.

Prices and specifications subject to change without notice.

Feb. 15, 1960 Supersedes Mar. 20, 1959.

1959 PASSENGER CAR PARTS LIST

BRAKE - SERVICE

CODE	PART NAME AND DESCRIPTION	NO. OF CYL.	PLYMOUTH	DODGE	DESOTO	CHRYSLER AND IMPERIAL	PER CAR	PART NUMBER
5-03-0 WHEEL BRAKE SHOE AND LINING Cont'd								
5-03-6	SHOE - Cont'd							
	Rear Wheel, MD2, Cv. Cp., Sp. 4 D., MD3-L Sub., MD3-M, Sp. 4 D., MD3-H Cv. Cp., Sp. 4 D., Sub., MD2 Taxi, MD3 Taxi, MS1, MC1 except Sub., 11" x 2 1/2" Brakes	8	-	59	59	59	4	1674 064
	Front and Rear, 12" Brakes	8	59	59	59	59	8	1738 903
	Front Wheel, 11" x 2" Brakes, w/3 Platform Guides, MP1, MP2, except Sub.	6-8	59	-	-	-	4	E1943 805
	Front Wheel, 11" x 2 1/2" Brakes, w/3 Platform Guides, MP1, MP2, Sub., MS1, MC1 except Sub.	6-8	59	59	59	59	4	E1943 806
	Rear Wheel, 11" x 2" Brakes, w/3 Platform Guides, MP1, MP2, MD2 Cl. Sed., Sp. Cl. Cp., 4 D. MD3 Sp. Cl. Cp., 4 D.	6-8	59	59	-	-	4	E1943 805
	Rear Wheel, 11" x 2 1/2" Brakes, w/3 Platform Guides, MD2 Cv. Cp., Sp. 4 D., MD3 Cv. Cp., Sp. 4 D., Sub., MS1, MC1 except Sub.	8	-	59	59	59	4	E1943 806
	Front and Rear Wheel, 12" Brakes	6-8	59	59	59	59	8	E1943 674
5-03-9	PACKAGE, Wheel Brake Dampener	6-8	59	59	59	59	1	E2084 257
5-03-23	SPRING, Brake Shoe Return, Front, MS1, MC1 except Sub., 11" Brakes	6-8	59	59	59	59	4	1674 078
	Rear, MS1, MC1 except Sub., 11" Brakes	6-8	59	59	59	59	4	1674 060
	Front, 12" Brakes	8	59	59	59	59	4	1409 970
	Rear, 12" Brakes	8	59	59	59	59	4	1672 001
	11" Brakes, w/3 Platform Guides, MS1, MC1 except Sub.	6-8	59	59	59	59	8	E1944 258
	12" Brakes, w/3 Platform Guides	6-8	59	59	59	59	8	E1944 257
5-12-0 WHEEL CYLINDER PISTON PUSH ROD								
5-12-1	ROD	6-8	59	59	59	59	8	1329 890
5-13-0 WHEEL BRAKE SUPPORT								
5-13-1	SUPPORT, Front, Right, 11" Brakes, MS1, MC1 except Sub.	6-8	59	59	59	59	1	1635 506
	Left, 11" Brakes, MS1, MC1 except Sub.	6-8	59	59	59	59	1	1635 507
	Right, 12" Brakes, MC1, MC2, MC3	8	59	59	59	59	1	1676 050
	Left, 12" Brakes, MC1, MC2, MC3	8	59	59	59	59	1	1676 051
	Right, 12" Brakes, MC3-300, MY1	8	-	-	-	59	1	1676 052
	Left, 12" Brakes, MC3-300, MY1	8	-	-	-	59	1	1676 053
	Rear, 11" Brakes, MS1, MC1 except Sub.	6-8	59	59	59	59	2	1635 510
	12" Brakes	8	59	59	59	59	2	1676 056
	Front, Right, 11" Brakes, w/3 Platform Guides, MS1, MC1 except Sub.	6-8	59	59	59	59	1	E1943 838
	Front, Left 11" Brakes, w/3 Platform Guides, MS1, MC1 except Sub.	6-8	59	59	59	59	1	E1943 839
	Rear, 11" Brakes, w/3 Platform Guides, MS1, MC1 except Sub.	6-8	59	59	59	59	2	E1943 813
	Front, Right, 12" Brakes, w/3 Platform Guides, MC1, MC2, MC3	6-8	59	59	59	59	1	E1943 796
	Front, Left, 12" Brakes, w/3 Platform Guides, MC1, MC2, MC3	6-8	59	59	59	59	1	E1943 797
	Front, Right, 12" Brakes w/3 Platform Guides, MC3-300, MY1	8	-	-	-	59	1	E1943 798
	Front, Left, 12" Brakes, w/3 Platform Guides, MC3-300, MY1	8	-	-	-	59	1	E1943 799
	Rear, 12" Brakes, w/3 Platform Guides	6-8	59	59	59	59	2	E1943 832
5-13-9	BOLT, Front Support Mounting, 7/16"-20 x 1 3/4"	6-8	59	59	59	59	4	1615 460
	7/16"-20 x 3 1/4"	6-8	59	59	59	59	2	1615 438
	MS1, MC1, 7/16"-20 x 2 7/8"	6-8	59	59	59	59	2	1615 437

★ Indicates use as required. Numerals in parentheses () refer to notes. Printed in U.S.A.
 E Indicates parts not listed in any previous parts book. Prices and specifications subject to change without notice.
 March 20, 1959 Supersedes Dec. 30, 1958. Page 5-2 * Indicates change or addition.

CODE	PART NAME AND DESCRIPTION	NO. OF CYL.	PLYMOUTH	DODGE	DESOTO	CHRYSLER AND IMPERIAL	PER CAR	PART NUMBER
5-13-0 WHEEL BRAKE SUPPORT - Cont'd								
5-13-9	BOLT - Cont'd							
	MS2, MS3, MC2, MC3, MY1, 7/16"-20 x 2 3/4"	8	-	-	59	59	2	1850 938
	Rear Support Mounting, 3/8"-24 x 1 1/4"	6-8	59	59	59	59	10	1484 652
	Front, 11" Brakes, w/3 Platform Guides, MS1, MC1 except Sub., Short	6-8	59	59	59	59	4	1850 938
	12" Brakes, w/3 Platform Guides, Short	6-8	59	59	59	59	4	1948 146
	11" or 12" Brakes, w/3 Platform Guides, Long	6-8	59	59	59	59	4	1943 691
5-13-10	NUT, Mounting Bolt, Front	6-8	59	59	59	59	4	601 014
	Rear	6-8	59	59	59	59	4	273 705
	Rear	6-8	59	59	59	59	10	120 369
5-16-0 WHEEL BRAKE DUST SHIELD								
5-16-1	SHIELD, Front, Right, 11" x 2" Brakes	6-8	59	-	-	-	1	1673 806
	Left, 11" x 2" Brakes	6-8	59	-	-	-	1	1673 807
	Right, MS1, MC1 except Sub., 11" x 2 1/2" Brakes	8	-	59	59	59	1	1857 068
	Left, MS1, MC1 except Sub., 11" x 2 1/2" Brakes	8	-	59	59	59	1	E1857 069
	Right, MC1, MC2, MC3, 12" x 2 1/2" Brakes	8	59	59	59	59	1	E1857 070
	Left, MC1, MC2, MC3, 12" x 2 1/2" Brakes	8	59	59	59	59	1	1675 031
	Right, MC3-300, MY1, 12" x 2 1/2" Brakes	8	-	-	-	59	1	1675 032
	Left, MC3-300, MY1, 12" x 2 1/2" Brakes	8	-	-	-	59	1	1675 033
	Rear, MD2, Cl. Sed., Sp. Cl. Cp., 4D., MD3-M Sp. Cl. Cp., 4 D., MD3-H, Sp. Cl. Cp., 4 D., 11" x 2" Brakes	6-8	59	59	-	-	2	1635 241
	MD2, Cv. Cp., Sp. 4 D., MD3-L Sub., MD3-M Sp. 4 D., MD3-H, Cv. Cp., Sp. 4 D., Sub., MD2 Taxi, MD3 Taxi, MS1, MC1 except Sub., 11" x 2 1/2" Brakes	8	-	59	59	59	2	1552 580
	12" x 2 1/2" Brakes	8	59	59	59	59	2	1857 036
	Front, Right, 11" x 2" Brakes, w/3 Platform Guides, MP1, MP2, except Sub.	6-8	59	-	-	-	1	1857 058
	Front, Left, 11" x 2" Brakes, w/3 Platform Guides, MP1, MP2, except Sub.	6-8	59	-	-	-	1	1857 059
	Front, Right, 11" x 2 1/2" Brakes, w/3 Platform Guides, MP1, MP2, Sub., MS1, MC1 except Sub.	6-8	59	59	59	59	1	1857 056
	Front, Left, 11" x 2 1/2" Brakes, w/3 Platform Guides, MP1, MP2, Sub., MS1, MC1 except Sub.	6-8	59	59	59	59	1	1857 057
	Front, Right, 12" Brakes, w/3 Platform Guides, MC1, MC2, MC3	6-8	59	59	59	59	1	1943 666
	MC3-300, MY1	8	-	-	-	59	1	1943 686
	Front, Left, 12" Brakes, w/3 Platform Guides, MC1, MC2, MC3	6-8	59	59	59	59	1	1943 667
	MC3-300, MY1	8	-	-	-	59	1	1943 687
	Rear, 11" x 2" Brakes, w/3 Platform Guides, MD2 Cl. Sed., Sp. Cl. Cp., 4 D., MD3 Sp. Cl. Cp., 4 D.	6-8	59	59	-	-	2	1857 062
	Rear, 11" x 2 1/2" Brakes, w/3 Platform Guides, MD2 Cv. Cp., Sp. 4 D., MD3 Cv. Cp., Sp. 4 D., Sub., MS1, MC1 except Sub.	8	-	59	59	59	2	1857 061
	Rear, 12" Brakes, w/3 Platform Guides	6-8	59	59	59	59	2	1857 044
5-22-0 WHEEL BRAKE ADJUSTING CAM DUST SHIELD SEAL								
5-22-8	SEAL	6-8	59	59	59	59	8	1633 111
5-25-0 BRAKE SHOE GUIDE ADJUSTING SPRING								
5-25-1	SPRING	6-8	59	59	59	59	8	1484 680
5-25-8	RETAINER	6-8	59	59	59	59	8	1486 945

★ Indicates use as required.

Numerals in parentheses () refer to notes.

Printed in U.S.A.

E Indicates parts not listed in any previous parts book.

Prices and specifications subject to change without notice.

* Indicates change or addition.

1959 PASSENGER CAR PARTS LIST

BRAKE - SERVICE

CODE	PART NAME AND DESCRIPTION	NO. OF CYL.	PLYMOUTH	DODGE	DESOTO	CHRYSLER AND IMPERIAL	PER CAR	PART NUMBER
5-26-0 BRAKE SHOE GUIDE								
5-26-1	SPRING, Brake Shoe Guide, w/3 Platform Guides	6-8	59	59	59	59	8	600 071
5-26-2	RETAINER, Brake Shoe Guide Spring, w/3 Platform Guides, Upper	6-8	59	59	59	59	8	600 072
	Lower	6-8	59	59	59	59	8	600 073
5-27-0 BRAKE PEDAL AND BUSHING								
5-27-1	PEDAL, w/Std. Trans., w/o Power Brakes, MS1.	6-8	59	59	59	-	1	1675 232
	w/Std. Trans., w/Power Brakes, MS1.	6-8	59	59	59	-	1	1675 249
	w/PowerFlite and Auto. 3 Speed Trans., w/o Power Brakes, MS1, MS2, MC1.	6-8	59	59	59	59	1	1730 021
	w/PowerFlite and Auto. 3 Speed Trans., w/Power Brakes, MS1	6-8	59	59	59	-	1	1675 201
	MS2, MS3.	8	-	-	59	59	1	1738 271
5-27-2	BUSHING	6-8	59	59	59	59	★	1637 779
5-27-9	BRACE, Brake Pedal Bracket, MC1, MC2, MC3	6-8	59	59	59	59	1	1698 905
5-27-10	PIN, Power Brake Pedal to Arm	6-8	59	59	59	59	1	1637 773
5-27-15	WASHER, Power Brake Pedal Trigger Spring.	6-8	59	59	59	59	1	6000 165
5-27-22	ARM, Power Brake Pedal Trigger.	6-8	59	59	59	59	1	1675 214
5-27-35	PIVOT, Power Brake Pedal Trigger.	6-8	59	59	59	59	1	1635 344
5-28-0 BRAKE PEDAL PAD								
5-28-8	PAD, w/Std. Trans., w/o Power Brakes, MS1.	6-8	59	59	59	-	1	1616 901
	w/PowerFlite, MS1	6-8	59	59	59	-	1	1820 005
	w/Auto. 3 Speed Trans., MC1, MC2, MC3.	8	-	-	-	59	1	1820 005
	MY1	8	-	-	-	59	1	1850 851
5-29-0 BRAKE PEDAL SHAFT								
5-29-1	SHAFT, w/Std. Trans., MS1	6-8	59	59	59	-	1	1730 009
	w/PowerFlite and Auto. 3 Speed Trans.	6-8	59	59	59	59	1	1637 782
5-31-0 BRAKE PEDAL BRACKET								
5-31-15	BRACKET, w/o Power Brakes	6-8	59	59	59	59	1	1820 223
	w/Power Brakes	6-8	59	59	59	59	1	1820 222
5-31-21	SCREW, w/WASHER, MC1, MC2, MC3	8	-	-	59	59	2	6000 194
		6-8	59	59	59	59	2	6010 019
5-34-0 BRAKE PEDAL PULL-BACK SPRING								
5-34-1	SPRING, w/o Power Brakes	6-8	59	59	59	59	1	1556 693
	w/Power Brakes	6-8	59	59	59	59	1	1730 077
5-39-0 MASTER CYLINDER								
5-39-1	REPAIR PACKAGE, w/o Piston, w/o Power Brakes, MS1, MS2, MS3, MC1	6-8	59	59	59	59	1	*1879 303
	w/PISTON, w/o Power Brakes, MS1, MS2, MS3, MC1	6-8	59	59	59	59	1	*1881 987
	w/o Piston, w/Power Brakes.	6-8	59	59	59	59	1	ⓔ1881 985
	w/PISTON, w/Power Brakes	6-8	59	59	59	59	1	ⓔ1881 985
5-39-3	CYLINDER, w/o Power Brakes	6-8	59	59	59	59	1	1829 400
	w/Power Brakes	6-8	59	59	59	59	1	1843 413
5-39-4	COVER PACKAGE	6-8	59	59	59	59	1	1752 470
5-39-18	GASKET	6-8	59	59	59	59	1	1559 753
5-39-20	COVER	6-8	59	59	59	59	1	1731 225
5-39-21	SCREW, Cover.	6-8	59	59	59	59	1	1731 227
5-39-24	GASKET, Cover	6-8	59	59	59	59	1	1737 171
5-39-27	BAFFLE, Cover	6-8	59	59	59	59	1	1731 226

★ Indicates use as required.

Numerals in parentheses () refer to notes.

Printed in U.S.A.

ⓔ Indicates parts not listed in any previous parts book.

Prices and specifications subject to change without notice.

Feb. 15, 1960 Supersedes May 25, 1959.

* Indicates change or addition.

CODE	PART NAME AND DESCRIPTION	NO. OF CYL.	PLYMOUTH	DODGE	DESOTO	CHRYSLER AND IMPERIAL	PER CAR	PART NUMBER
5-40-0 MASTER CYLINDER BOOT								
5-40-1	BOOT, w/o Power Brakes	6-8	59	59	59	59	1	1828 388
	w/Power Brakes	6-8	59	59	59	59	1	1316 628
5-40-3	COLLAR, w/Power Brakes	6-8	59	59	59	59	1	1316 627
5-42-0 MASTER CYLINDER REINFORCEMENT								
5-42-1	REINFORCEMENT, w/o Power Brakes	6-8	59	59	59	59	1	1675 220
5-43-0 MASTER CYLINDER VALVE								
5-43-1	VALVE	6-8	59	59	59	59	1	1318 446
5-43-5	SEAL, Valve	6-8	59	59	59	59	1	1617 379
5-44-0 MASTER CYLINDER PISTON								
5-44-3	PISTON	6-8	59	59	59	59	1	1828 659
5-44-4	WASHER, Piston Cup	6-8	59	59	59	59	1	857 443
5-44-8	STOP, w/o Power Brakes	6-8	59	59	59	59	1	1828 389
	w/Power Brakes	6-8	59	59	59	59	1	1556 664
5-45-0 MASTER CYLINDER PISTON CUP								
5-45-8	CUP, Secondary	6-8	59	59	59	59	1	958 659
5-46-0 MASTER CYLINDER PISTON RETURN SPRING								
5-46-1	SPRING	6-8	59	59	59	59	1	1738 268
5-47-0 MASTER CYLINDER PISTON PUSH ROD								
5-47-2	ROD, w/Power Brakes	6-8	59	59	59	59	1	1731 202
5-47-3	END, Push Rod, w/Power Brakes	6-8	59	59	59	59	1	1675 218
5-47-4	BOLT, Push Rod End, w/o Power Brakes, MC1	6-8	59	59	59	59	1	1616 915
	PIN, w/Power Brakes	6-8	59	59	59	59	1	1637 784
5-47-7	RETAINER, Push Rod End Pin, w/Power Brakes	6-8	59	59	59	59	1	1671 569
5-47-10	RING, Push Rod, w/o Power Brakes	6-8	59	59	59	59	1	1737 167
5-52-0 MASTER CYLINDER BRAKE TUBE								
5-52-3	NUT, Master Cylinder to Brake Tube Tee Tube	6-8	59	59	59	59	1	1739 226
5-52-62	CONNECTOR, Master Cylinder Tube	6-8	59	59	59	59	1	1828 396
5-53-0 BRAKE FRAME TUBE								
5-53-3	TUBING, 25 Foot Roll, 3/16" O.D.	6-8	59	59	59	59	★	1843 251
	1/4" O.D.	6-8	59	59	59	59	★	1843 252
	5/16" O.D.	6-8	59	59	59	59	★	1843 253
	3/8" O.D.	6-8	59	59	59	59	★	1843 254
5-53-4	COVER, Tube, 25 Foot Roll, for 3/16" O.D. Tube	6-8	59	59	59	59	★	1843 257
	For 1/4" O.D. Tube	6-8	59	59	59	59	★	1843 258
	For 5/16" O.D. Tube	6-8	59	59	59	59	★	1843 259
5-53-34	TUBE, Brake Tube Tee to Left Hose	6-8	59	-	-	-	1	1124 544
	To Right Hose, MC1	8	-	-	-	59	1	1124 556

★ Indicates use as required.

Numerals in parentheses () refer to notes.

Printed in U.S.A.

□ Indicates parts not listed in any previous parts book.

Prices and specifications subject to change without notice.

* Indicates change or addition.

1959 PASSENGER CAR PARTS LIST

BRAKE - SERVICE

CODE	PART NAME AND DESCRIPTION	NO. OF CYL.	PLYMOUTH	DODGE	DESOTO	CHRYSLER AND IMPERIAL	PER CAR	PART NUMBER
5-54-0 REAR AXLE BRAKE TUBE								
5-54-1	TUBE, Right, MS1	6-8	59	59	59	-	1	861 559
	Left, MD3, MS1	8	-	59	59	-	1	861 542
	Left, MS2, MS3, MC1, MC2, MC3	8	-	-	59	59	1	861 543
	Right, MY1	8	-	-	-	59	1	861 558
	Left, MY1	8	-	-	-	59	1	861 549
5-55-0 WHEEL CYLINDER CONNECTING TUBE								
5-55-1	TUBE, Right, MS1, MC1, 11" Brakes	6-8	59	59	59	59	1	1633 092
	Left, MS1, MC1, 11" Brakes	6-8	59	59	59	59	1	1633 093
	Right, 12" Brakes	8	59	59	59	59	1	1558 192
	Left, 12" Brakes	8	59	59	59	59	1	1558 191
5-56-0 BRAKE TUBE OR HOSE CLIP								
5-56-2	CLIP, Tube	6-8	59	59	59	59	★	1119 423
	Front Wheel Brake Hose, MS2, MS3, MC2, MC3, MY1	8	-	-	59	59	2	1856 642
5-57-0 BRAKE TUBE BRACKET								
5-57-2	BRACKET, Front, MS1, MC1	6-8	59	59	59	59	2	1739 248
	MS2, MS3, MC2, MC3, MY1	8	-	-	59	59	2	1850 917
	Rear, MC1, MC2, MC3	6-8	59	59	59	59	1	1828 501
	w/Tail Pipe SUPPORT, MY1, except Cv. Cp.	8	-	-	-	59	1	1945 702
5-58-0 BRAKE TUBE TEE								
5-58-1	TEE, Master Cylinder Tube to Brake Tube, MS1, MC1	6-8	59	59	59	59	1	1737 445
	MS2, MS3, MC2, MC3, MY1	8	-	-	59	59	1	1737 436
	TEE, Rear Axle Brake Tube, MC1, MC2, MC3	6-8	59	59	59	59	1	1940 622
	MY1	8	-	-	-	59	1	1940 621
5-62-0 BRAKE FLEXIBLE HOSE								
5-62-1	HOSE, Front Wheel, MS1, MC1	6-8	59	59	59	59	2	1739 249
	MS2, MS3, MC2, MC3, MY1	8	-	-	59	59	2	1739 215
	Rear Wheel	6-8	59	-	-	-	1	1739 249
	MS1	8	-	59	59	59	1	1739 215
	MS2, MS3, MC1, MC2, MC3, MY1	8	-	-	59	59	1	1850 930
5-62-7	GASKET, Front Wheel Cylinder Hose	6-8	59	59	59	59	2	1406 748
5-62-20	LOCK, Brake Flexible Hose to Bracket	6-8	59	59	59	59	★	392 911
5-63-0 WHEEL CYLINDER PACKAGE								
5-63-1	PACKAGE, Service	6-8	59	59	59	59	4	1818 639
	Front Wheel, w/3 Platform Guides	6-8	59	59	59	59	2	2084 254
	Rear Wheel, w/3 Platform Guides	6-8	59	59	59	59	2	1818 639
5-63-3	PACKAGE, Piston (expander type)	6-8	59	59	59	59	4	1818 834
	Front Wheel, w/3 Platform Guides	6-8	59	59	59	59	2	2084 255
	Rear Wheel, w/3 Platform Guides	6-8	59	59	59	59	2	2084 256
5-64-0 WHEEL BRAKE CYLINDER ASSEMBLY								
5-64-1	CYLINDER, Front, Upper, Right	6-8	59	59	59	59	1	1631 814
	Upper, Left	6-8	59	59	59	59	1	1631 815
	Lower, Right	6-8	59	59	59	59	1	1631 816
	Lower, Left	6-8	59	59	59	59	1	1631 817
	Rear	6-8	59	59	59	59	2	*1857 051
	Front, Upper, Right, w/3 Platform Guides	6-8	59	59	59	59	1	1857 054
	Upper, Left, w/3 Platform Guides	6-8	59	59	59	59	1	1857 055
	Lower, Right, w/3 Platform Guides	6-8	59	59	59	59	1	1857 052
	Lower, Left, w/3 Platform Guides	6-8	59	59	59	59	1	1857 053
	Rear, w/3 Platform Guides	6-8	59	59	59	59	2	1857 051

★ Indicates use as required.

Numerals in parentheses () refer to notes.

Printed in U.S.A.

⊞ Indicates parts not listed in any previous parts book.

Prices and specifications subject to change without notice.

Feb. 15, 1960 Supersedes May 25, 1959.

* Indicates change or addition.

CODE	PART NAME AND DESCRIPTION	NO. OF CYL.	PLYMOUTH	DODGE	DESOTO	CHRYSLER AND IMPERIAL	PER CAR	PART NUMBER
5-64-0 WHEEL BRAKE CYLINDER ASSEMBLY - Cont'd								
5-64-2	BOLT, Wheel Cylinder Mounting, w/3 Platform Guides	6-8	59	59	59	59	8	1943 840
5-67-0 WHEEL CYLINDER BLEEDER SCREW								
5-67-1	SCREW	6-8	59	59	59	59	6	*1261 834
5-69-0 WHEEL CYLINDER BOOT								
5-69-1	BOOT	6-8	59	59	59	59	8	1136 872
	Front Wheel, w/3 Platform Guide	6-8	59	59	59	59	4	1943 690
	Rear Wheel, w/3 Platform Guides	6-8	59	59	59	59	4	1136 872
5-70-0 WHEEL CYLINDER PISTON								
5-70-1	PISTON	6-8	59	59	59	59	8	1312 830
5-71-0 WHEEL CYLINDER PISTON CUP								
5-71-1	CUP	6-8	59	59	59	59	8	1674 080
5-71-2	SPRING, Expander, Front	6-8	59	59	59	59	4	1614 894
	Rear	6-8	59	59	59	59	2	1633 106
5-72-0 WHEEL CYLINDER PISTON CUP EXPANDER								
5-72-1	EXPANDER	6-8	59	59	59	59	8	1674 081
5-100-0 POWER BRAKE POWER UNIT								
5-100-1	PACKAGE, Repair, for 1818 530 Field Installed Power Brakes, MS1, MS2, MC1. . .	6-8	59	59	59	59	1	1818 602
	For 1675 213 and 1828 377 Power Brakes . .	6-8	59	59	59	59	1	1675 001
	For 1735 620 Power Brakes	6-8	59	59	59	59	1	1940 788
5-100-2	POWER UNIT, Power Brake, Bellows Type, except Adventurer	6-8	59	59	59	59	1	1675 213
	Cylinder Type	6-8	59	59	59	59	1	1735 620
	Bellows Type, MS3 Adventurer	8	-	-	59	-	1	1828 377
5-100-3	PACKAGE, Cylinder Seal, for 1735 620 Power Brakes	6-8	59	59	59	59	1	1940 787
5-100-34	LEVER, Brake Pedal, MS1	6-8	59	59	59	-	1	1675 202
	MS2, MS3	8	-	-	59	59	1	1738 272
5-100-35	BUSHING, Lever Pin	6-8	59	59	59	59	2	1637 793
5-100-105	REINFORCEMENT	6-8	59	59	59	59	1	1675 223
5-100-110	CAM, Pedal Adjusting	6-8	59	59	59	59	1	1737 157
5-100-111	COLLAR, Adjusting Cam	6-8	59	59	59	59	1	1674 302
5-100-113	WASHER, Adjusting Cam Plain	6-8	59	59	59	59	1	1685 757
	WASHER, Lock	6-8	59	59	59	59	1	1737 158
5-100-152	PACKAGE, Piston Packing, for 1818 530 Field Installed Power Brakes, MS1, MS2, MC1. . .	6-8	59	59	59	59	1	1653 475
	For 1735 620 Power Brakes	6-8	59	59	59	59	1	1820 003
5-100-165	PACKAGE, Hydrovac Poppet Valve, for 1818 530 Field Installed Power Brakes, MS1, MS2, MC1	6-8	59	59	59	59	1	1692 615

★ Indicates use as required.

☐ Indicates parts not listed in any previous parts book.

* Indicates change or addition.

Numerals in parentheses () refer to notes.

Prices and specifications subject to change without notice.

Printed in U.S.A.

5-100-0 POWER BRAKE POWER UNIT Cont'd

COMPONENT PARTS FOR POWER BRAKE POWER UNITS

PART TYPE CODE	PART NAME	POWER UNITS	
		1675 213 and 1828 377	1735 620
5-100-7	SHELL	----	1739 852
5-100-8	SEAL, Shell	----	1739 853
5-100-15	SPRING, Return	----	1739 839
5-100-20	ROD, Piston, w/YOKE	----	1739 842
5-100-21	YOKE	1820 011	----
5-100-25	SCREW, Set	1675 003	----
5-100-27	WASHER, Piston Rod Stop Cushion	----	1675 099
5-100-39	BEARING, Piston Rod	----	1940 790
5-100-120	SCREW, Inspection Hole	1673 634	132 096
5-100-121	GASKET, Inspection Hole Screw	1674 993	1675 137
5-100-127	VALVE, Air	1674 944	1739 847
5-100-130	SPRING, Air Valve	1676 486	----
5-100-137	PIN, Piston Plate Spiral	----	1675 009
5-100-138	PLATE, Piston	----	1739 832
5-100-139	PACKING, Piston	----	1739 834
5-100-140	PLATE, Piston Packing	----	1739 836
5-100-141	RING, Piston Packing	----	1739 835
5-100-142	GUIDE, w/SLEEVE	1820 009	----
5-100-143	WICK, Piston Packing	----	1675 013
5-100-144	PLATE, Packing Wick Retaining	----	1739 838
5-100-145	BEARING, Guide Sleeve	1674 970	----
5-100-146	SCREW, Piston Packing Plate	----	1675 143
5-100-148	SEAL, Bearing to Guide Sleeve	1674 972	----
	"O" RING, Bearing to Mounting Plate	1674 974	----
5-100-155	SEAL, Air Valve	1674 949	----
5-100-156	RETAINER, Air Valve Seal	1674 950	----
5-100-158	HOSE, Vacuum	----	1675 124
5-100-159	VALVE, Vacuum	1674 952	----
	SEAT, Poppet Valve	----	1675 118
5-100-160	SPRING, Vacuum Valve	1674 955	1675 122
5-100-161	SEAL, Vacuum Valve	1674 949	----
5-100-162	RETAINER, Vacuum Valve Seal	1674 954	----
5-100-163	DIAPHRAGM, Poppet Valve Seat	----	1675 123
5-100-168	EXTENSION, Valve Stem, w/CUP	----	1675 109
5-100-169	ROD, Valve, w/BUMPER	1820 012	----
5-100-171	"O" RING, Valve Rod Bumper	1674 989	----
5-100-173	SPRING, Valve Stem	----	1676 487
5-100-174	RING, Valve Stem Snap	----	1675 104
5-100-175	SEAL, Valve Stem	----	1675 128
5-100-176	DIAPHRAGM, Valve Applying	----	1675 112
5-100-177	RETAINER, Diaphragm	----	1675 113
5-100-178	WASHER, Diaphragm Retainer	----	1675 117
5-100-179	HOUSING, Valve	1674 942	----
5-100-180	RETAINER, Valve Stem Spring	----	1673 620
5-100-181	"O" RING, Valve Housing to Guide	1674 957	----
	"O" RING, Valve Housing to Cover	1674 991	----
5-100-182	WASHER, Valve Stem	----	1820 025
5-100-183	PLATE, Air Cleaner, w/TUBE	----	1820 002
	COVER, Valve Housing, for 1675 213 Unit	1820 013	----
	For 1828 377 Unit	1828 385	----
5-100-186	END, Valve Stem	----	1739 849
5-100-188	SCREW, Diaphragm Retainer	----	1675 143
5-100-200	BELLOWS, Power Unit	1820 007	----
5-100-201	SPRING, Bellows Return	1820 010	----

* Indicates use as required.

Numerals in parentheses () refer to notes.

Printed in U.S.A.

☐ Indicates parts not listed in any previous parts book.

Prices and specifications subject to change without notice.

5-100-O POWER BRAKE POWER UNIT Cont'd

COMPONENT PARTS FOR POWER BRAKE POWER UNITS Cont'd

PART TYPE CODE	PART NAME	POWER UNITS	
		1675 213 and 1828 377	1735 620
5-100-202	RETAINER, Bellows Return Spring	1674 965	----
5-100-203	PLATE, Bellows Spacer	1820 008	----
5-100-206	PLATE, Mounting, Inner	1674 966	----
	Outer	1674 968	----
	End	----	1739 851
5-100-207	BOLT, End Plate	----	1675 146
	Mounting Ring	----	1735 640
5-100-208	RING, Mounting	----	1675 132
5-100-210	WASHER, Stop and Seal	1674 975	----

CODE	PART NAME AND DESCRIPTION	NO. OF CYL.	PLYMOUTH	DODGE	DESOTO	CHRYSLER AND IMPERIAL	PER CAR	PART NUMBER
5-102-O POWER BRAKE VACUUM TANK								
5-102-2	TANK, MS1, MC1 w/o Auto. Pilot	6-8	59	59	59	59	1	1735 622
	MS2, MS3, MC2, MC3, w/o Auto. Pilot	8	-	-	59	59	1	1820 218
	MY1 w/o Auto. Pilot	8	-	-	-	59	1	1940 792
	MC1 w/Auto. Pilot	8	-	-	-	59	1	1944 072
	MC2, MC3, MY1, w/Auto. Pilot	8	-	-	-	59	1	1944 075
5-102-6	SUPPORT, Vacuum Tank, Front, MC1 w/Auto. Pilot	8	-	-	-	59	1	1944 079
	Rear, MC1 w/Auto. Pilot	8	-	-	-	59	1	1944 083
	Front, MC2, MC3, MY1, w/Auto. Pilot	8	-	-	-	59	1	1944 081
	Rear, MC2, MC3, MY1, w/Auto. Pilot	8	-	-	-	59	1	1944 082
5-102-7	SCREW, Vacuum Tank Bracket, MS2, MS3	6-8	59	-	59	59	★	6006 120
	MS1	8	-	59	59	-	3	6006 121
5-102-8	EXTENSION, Vacuum Tank Bracket, MC2 MC3, MY1 w/Auto. Pilot	8	-	-	-	59	1	1944 084
5-102-10	SHELF, Support, MY1 w/Auto. Pilot	8	-	-	-	59	1	1940 785
5-105-O POWER BRAKE CHECK VALVE								
5-105-1	VALVE, Check	6-8	59	59	59	59	1	1672 436
5-110-O POWER BRAKE TUBE CONNECTOR								
5-110-18	CONNECTOR	6-8	59	59	59	59	1	1856 593
5-111-O POWER BRAKE VACUUM HOSE								
5-111-17	HOSE (1/2" I.D.-100 foot roll-sold by the inch)	6-8	59	59	59	59	★	1671 650
	(11/32" I.D.-100 foot roll-sold by the inch)	6-8	59	59	59	59	★	*1064 541
	(3/4" I.D.-100 foot roll-sold by the inch)	6-8	59	59	59	59	★	* 572 507
5-112-O POWER BRAKE HOSE CLAMP								
5-112-1	CLAMP	6-8	59	59	59	59	4	272 848

★ Indicates use as required. Numerals in parentheses () refer to notes. Printed in U.S.A.
 □ Indicates parts not listed in any previous parts book. Prices and specifications subject to change without notice.
 * Indicates change or addition. Page 5-9 Feb. 15, 1960 Supersedes Mar. 20, 1959.

